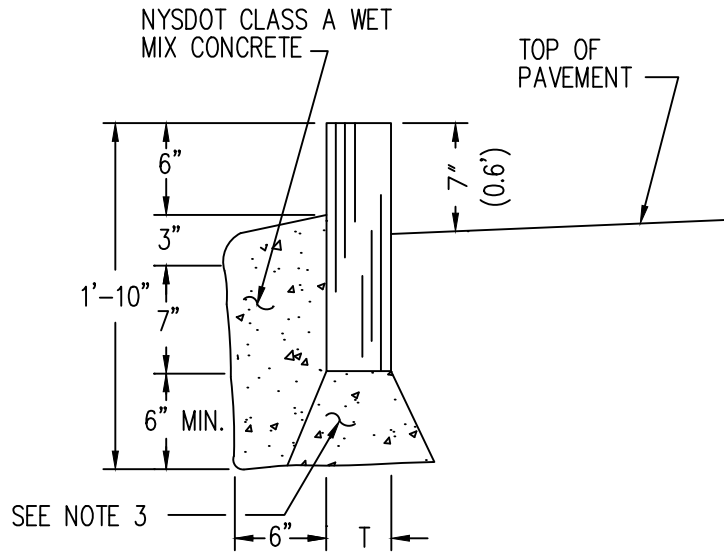
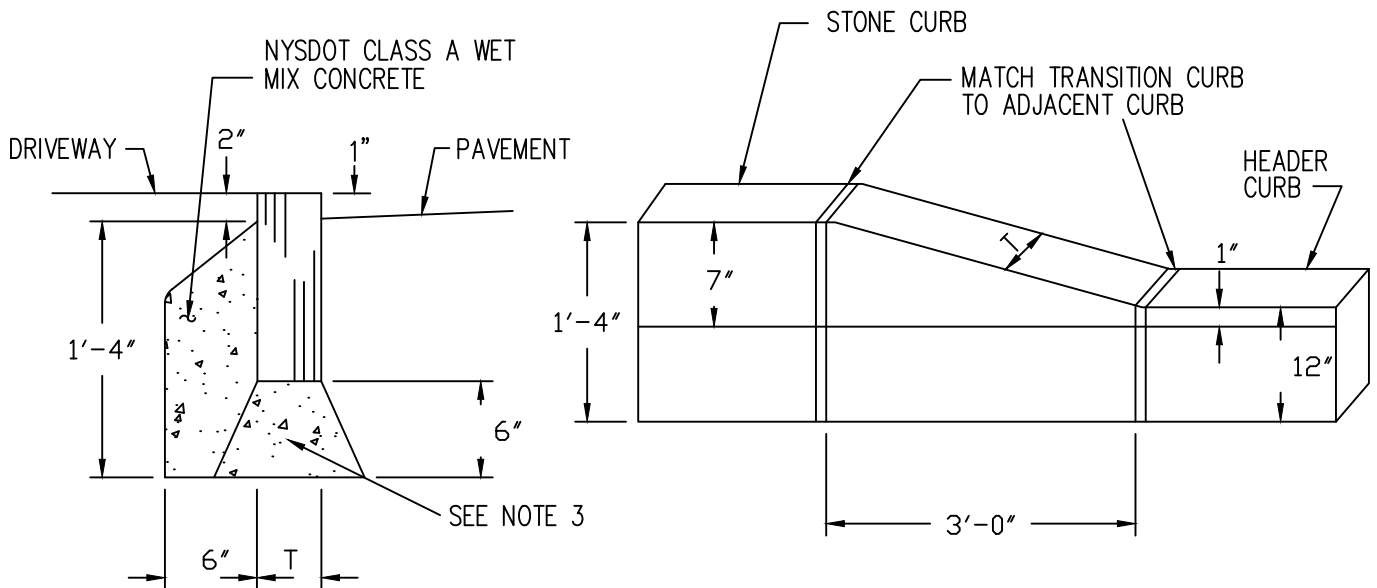


GRANITE CURB DETAIL

NTS



TYPE "A" CURB
AT FLEXIBLE PAVEMENT



HEADER CURB

TRANSITION CURB

NOTES:

1. CURB THICKNESS T SHALL BE 4" OR 5" AS INDICATED ON THE DRAWINGS
2. PROVIDE 0" CURB REVEAL FOR HEADER CURB AT SIDEWALK RAMPS
3. ALL GRANITE CURB SHALL BE SET ON A 6-INCH THICK CONTINUOUS BED OF DRY CONCRETE MIX (NYSDOT CLASS A) OR ON A 6-INCH THICK CONTINUOUS BED OF COMPACTED #1 CRUSHER RUN MEETING NYSDOT SECTION 304, AS DIRECTED BY THE COMMISSIONER OF PUBLIC WORKS.