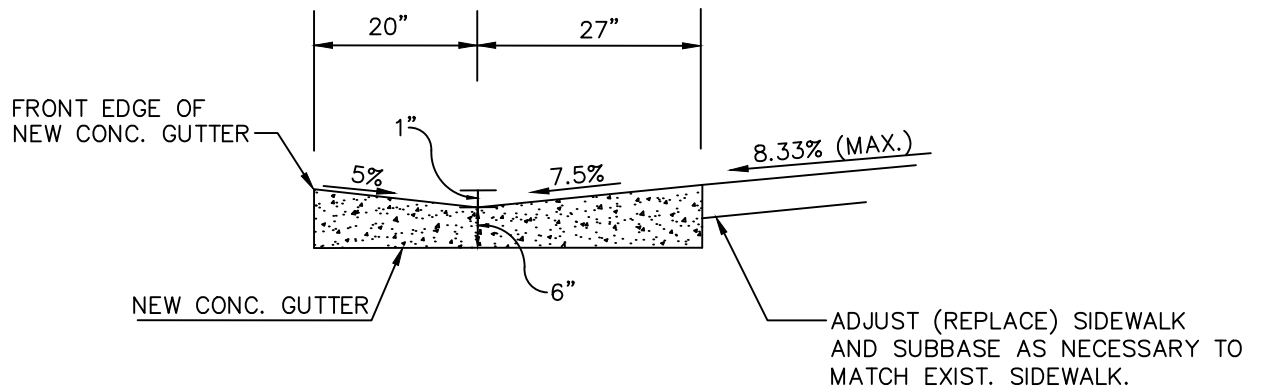
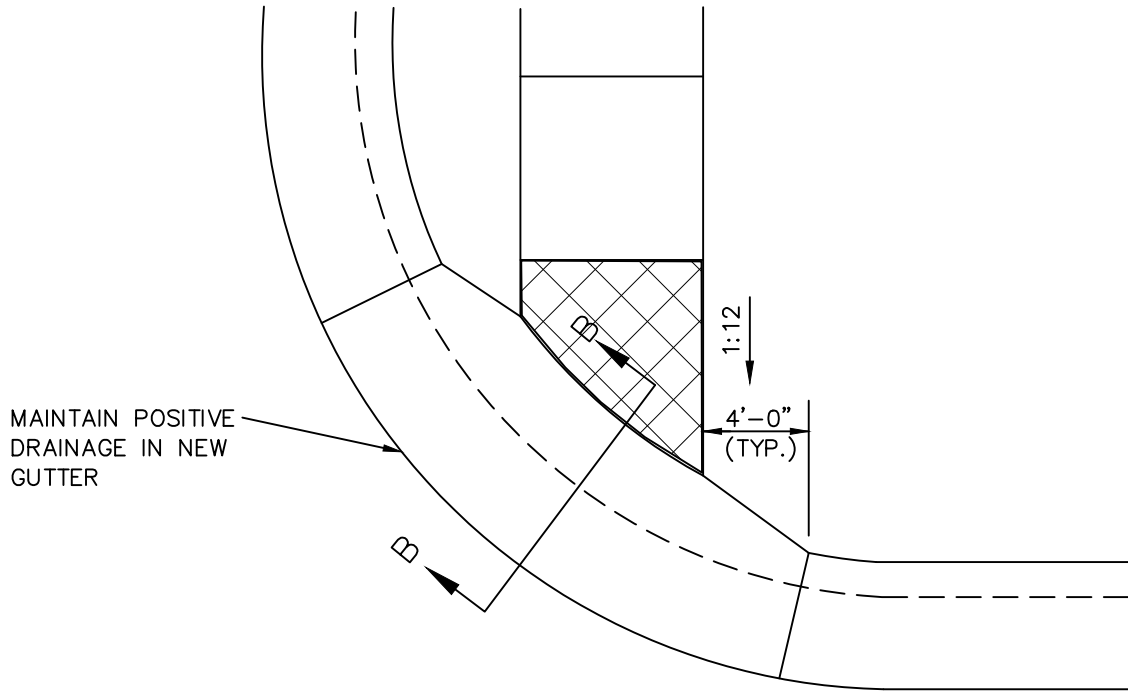


# SIDEWALK GUTTER/RAMP DETAIL

NTS



## SECTION B-B NEW CONCRETE GUTTER / ADA SIDEWALK RAMP SECTION DETAIL

***D16***

JANUARY 2021