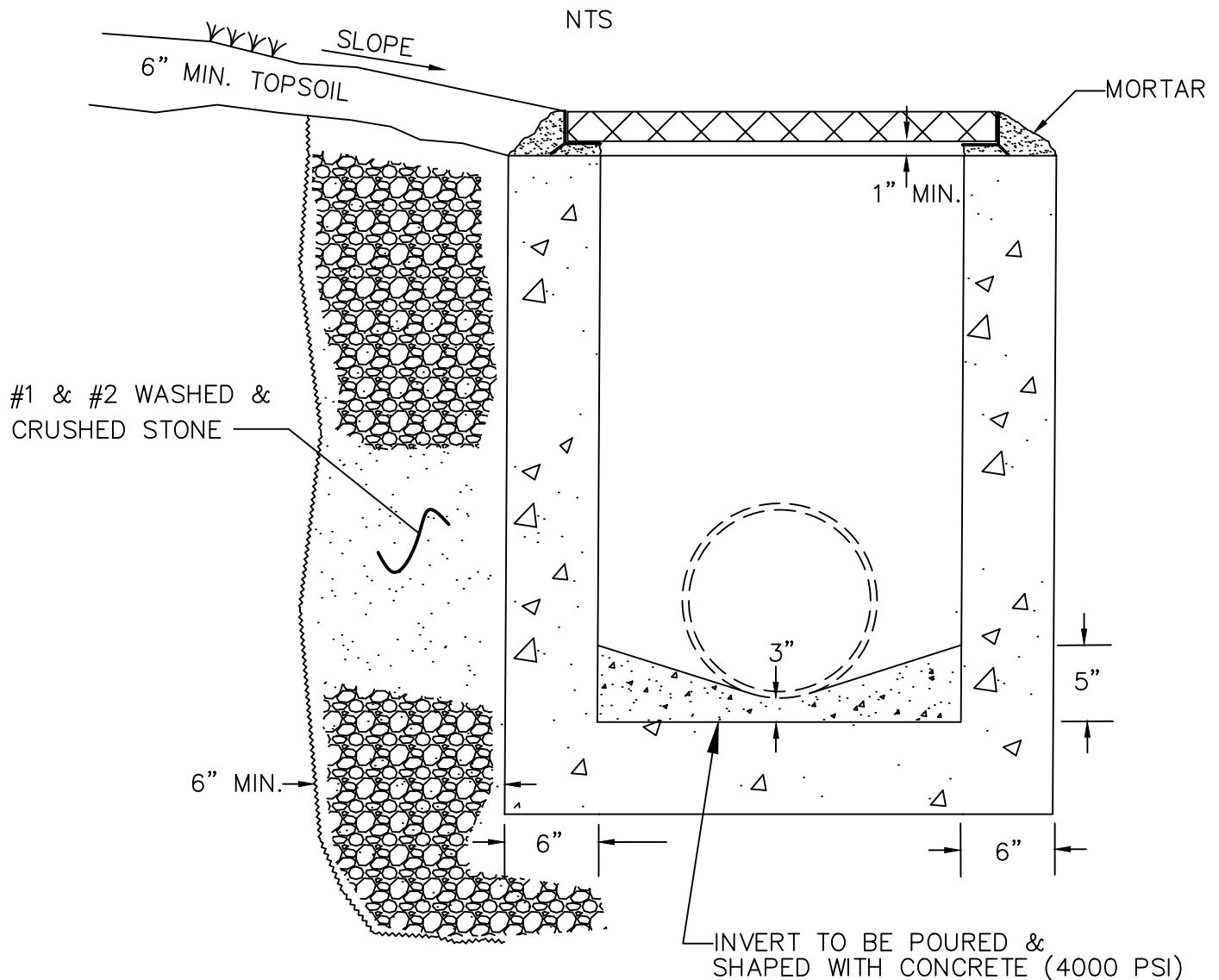


FIELD INLET DETAIL



NOTES:

1. PRECAST STEEL REINFORCED CONCRETE CATCH BASIN MANUFACTURED BY KISTNER (CB-315BS) OR APPROVED EQUAL.
2. MINIMUM INSIDE DEPTH 36"
3. MAXIMUM INSIDE DEPTH 48" (TOP OF GRATE TO INVERT)
4. ALL GRADE ADJUSTMENTS SHALL BE MADE WITH MANUFACTURED RINGS OR FORMED & POURED CONCRETE (4000 PSI).
5. MAX PIPE SIZE INTO OR OUT OF CATCH BASIN 18".
6. UNUSED KNOCKOUTS TO BE FILLED WITH BRICK & MORTAR TO A FULL 6" THICKNESS.
7. CATCH BASIN EXTERIOR SHALL BE COATED WITH BITUMASTIC 300M OR SUPER SERVICE BLACK, BOTH MANUFACTURED BY KOPPERS OR APPROVED EQUAL. THE INTERIOR SHALL BE COATED WITH 2 COATS OF EPOXY RESIN DAMP PROOFING.

D20

JANUARY 2021