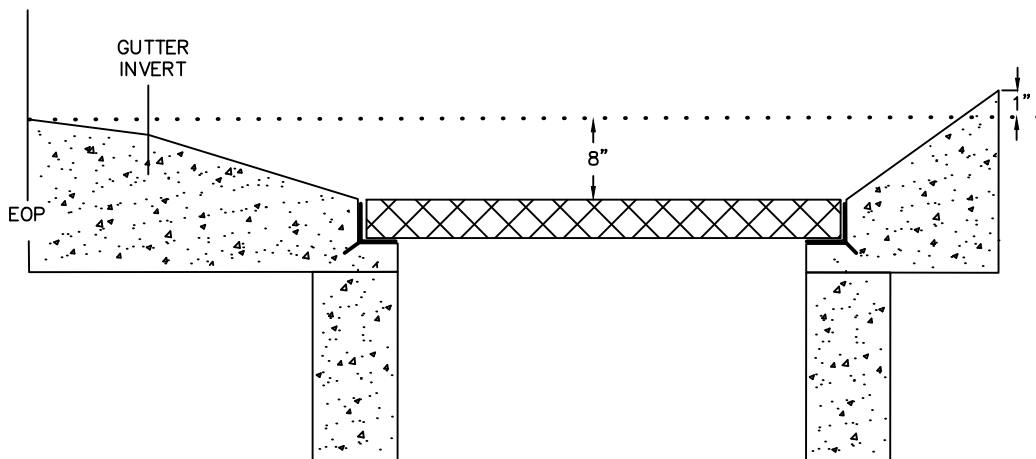
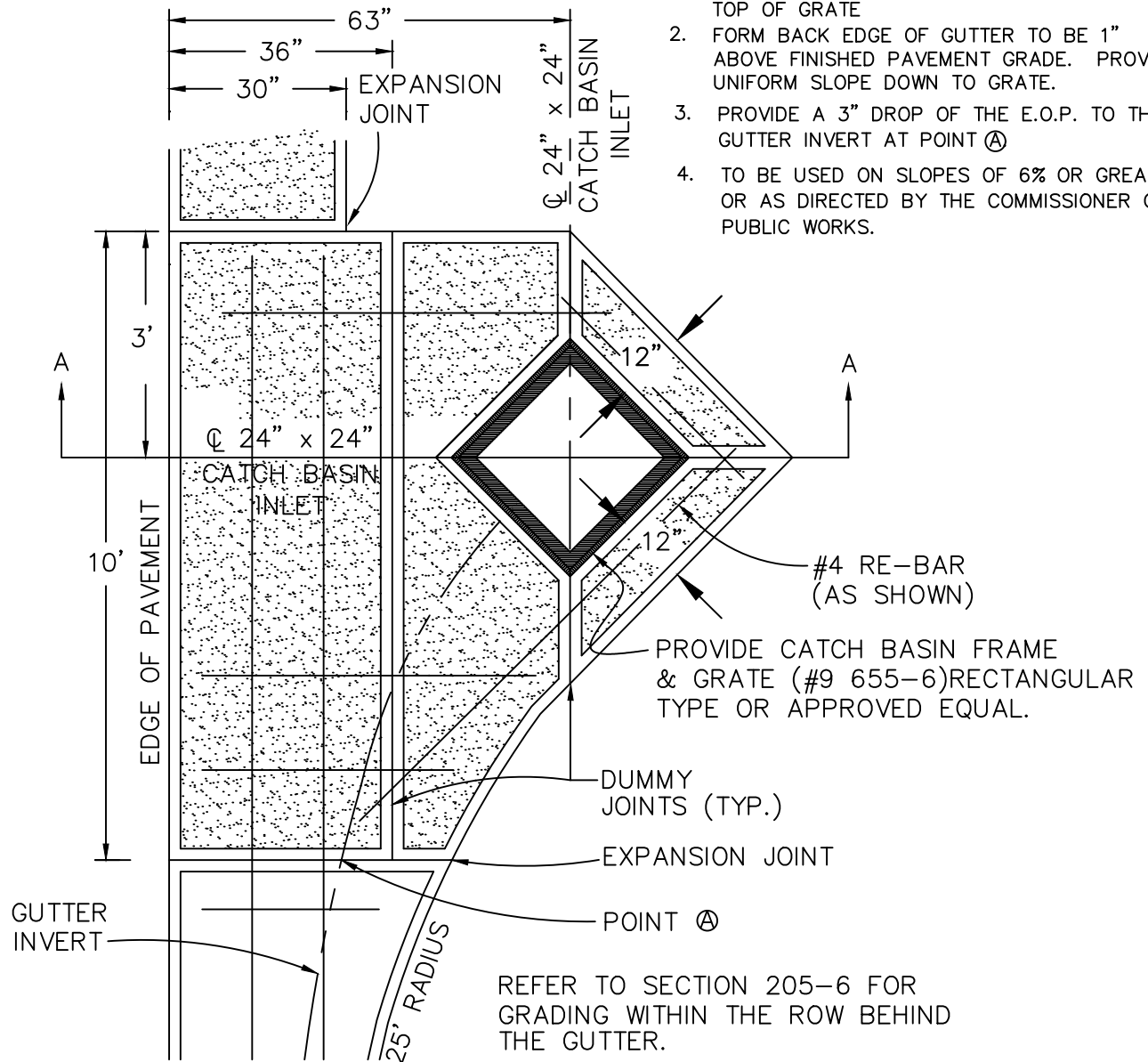


PERINTON FLAIR CATCH BASIN DETAIL

N.T.S.

NOTES:

1. 8" DROP FROM E.O.P. TO TOP OF GRATE
2. FORM BACK EDGE OF GUTTER TO BE 1" ABOVE FINISHED PAVEMENT GRADE. PROVIDE UNIFORM SLOPE DOWN TO GRATE.
3. PROVIDE A 3" DROP OF THE E.O.P. TO THE GUTTER INVERT AT POINT A
4. TO BE USED ON SLOPES OF 6% OR GREATER OR AS DIRECTED BY THE COMMISSIONER OF PUBLIC WORKS.



SECTION A-A