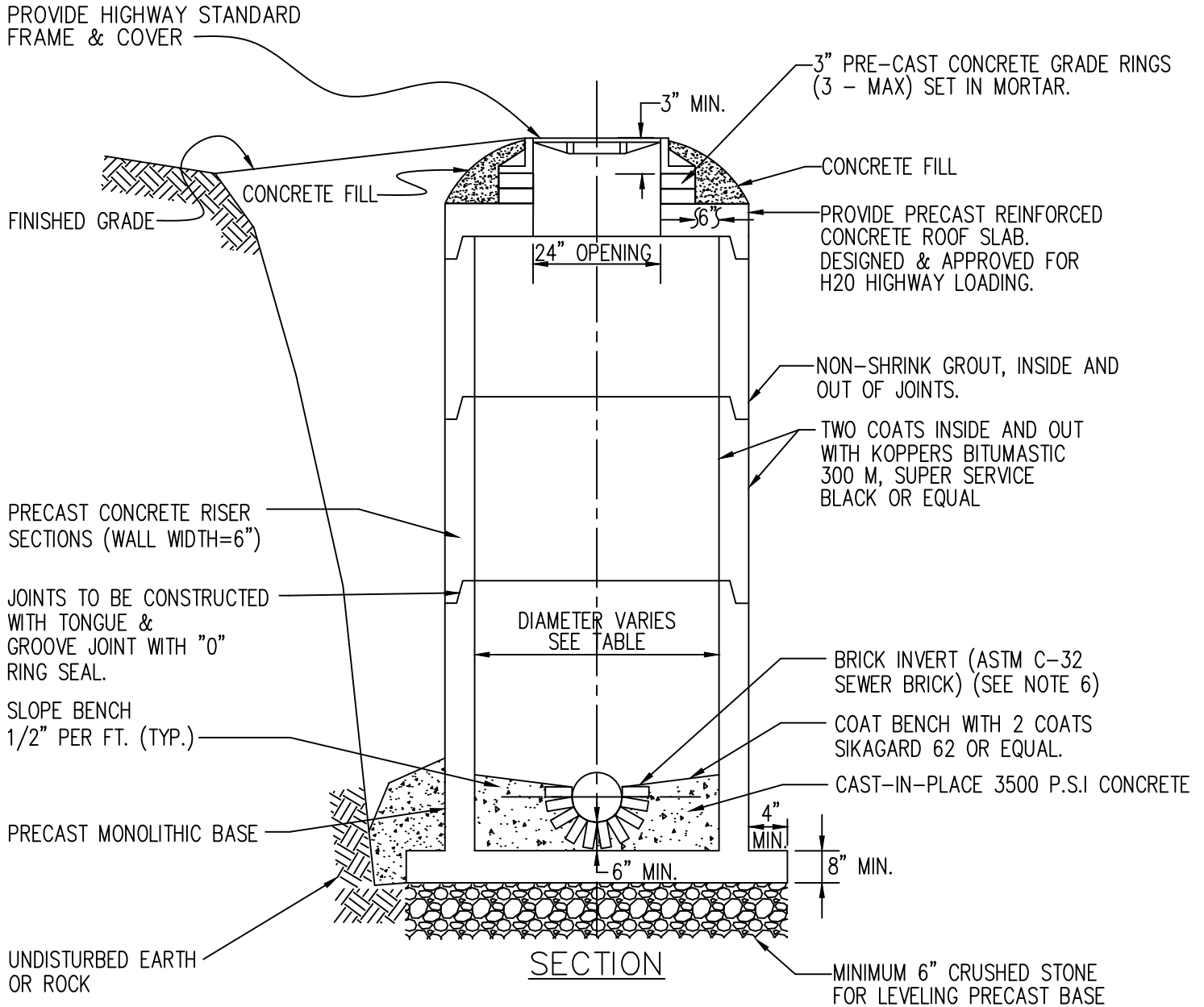


SANITARY / STORM MANHOLE DETAIL

N.T.S.



NOTES:

1. USE REINFORCED CONCRETE RISERS AS MANUFACTURED BY KISTNER CONCRETE PRODUCTS, INC. OR APPROVED EQUAL.
2. PROVIDE TOWN STANDARD FRAME & COVER.
3. ALL PIPE CONNECTIONS TO MANHOLE SHALL BE MADE WITH KOR-N-SEAL BOOT.
4. MAXIMUM MANHOLE SPACING TO BE 300'.
5. USE MANHOLE ADJUSTMENT RINGS AS NEEDED. MAXIMUM, 3 COURSES.
6. WITH PRIOR WRITTEN APPROVAL FROM THE COMMISSIONER OF PUBLIC WORKS, HALF CLAY TILES OR HALF PVC SDR-35 PIPE SECTIONS EMBEDDED IN CONCRETE MAY BE USED INSTEAD OF A BRICK INVERT. THE BENCH MUST BE BUILT UP WITH SEWER BRICK.

| SEWER SIZE | MANHOLE DIAMETER |
|------------|--------------------------------------|
| 8"-14" | 4'-0" |
| 15"-27" | 5'-0" |
| 30"-36" | 6'-0" |
| 3&4 WAY | 5'-0" MIN. SPECIAL INV. DETAIL REQ'D |

D23

JANUARY 2021