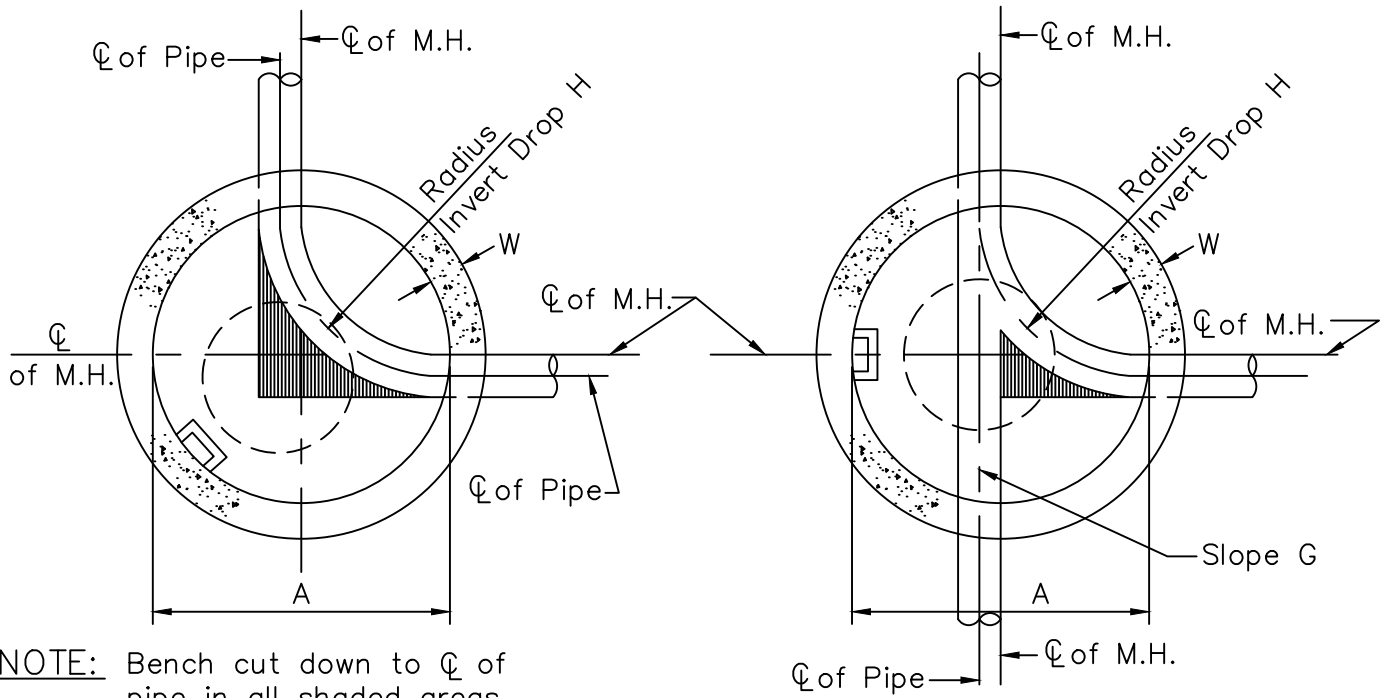
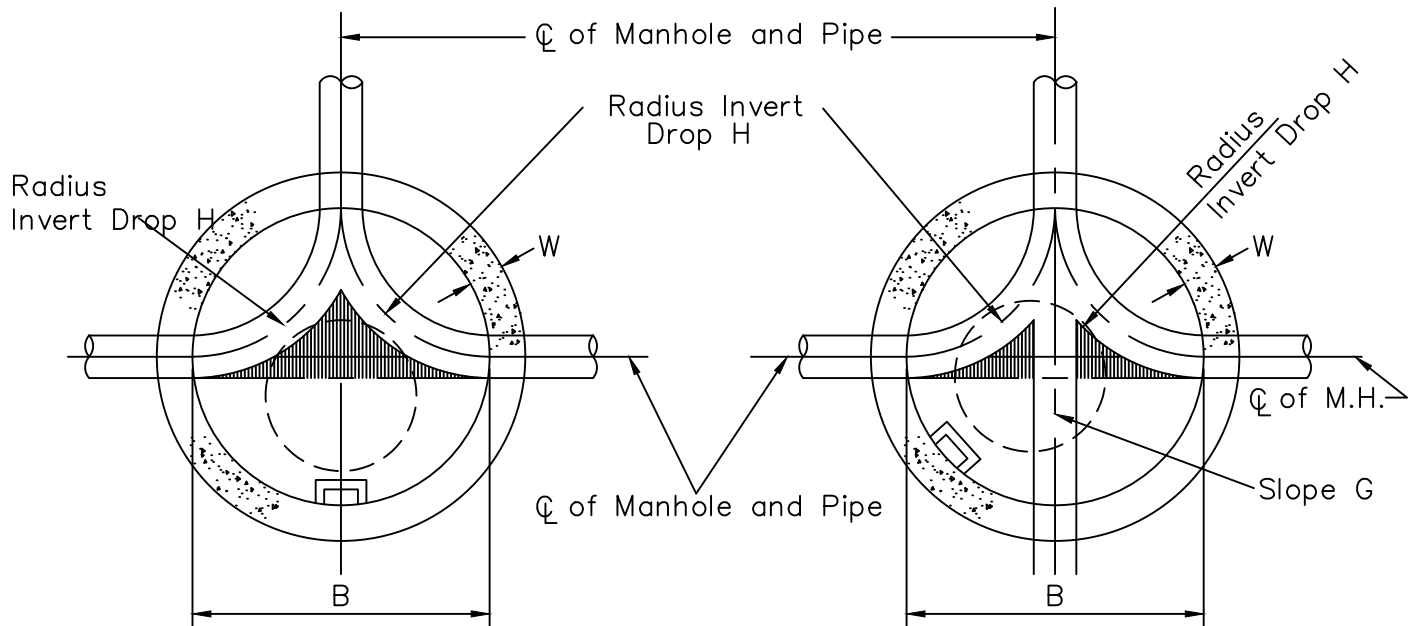


# STANDARD MANHOLE DIMENSIONS

NTS



**NOTE:** Bench cut down to  $\phi$  of pipe in all shaded areas.



Sewer Pipe Dia.		8"	10"	12"	15"	18"	Greater Than 18"
Manhole Diameter	A	4'-0"	4'-0"	4'-0"	5'-0"	5'-0"	As per requirements of D.P.W.
	B	5'-0"	5'-0"	5'-0"	5'-0"	5'-0"	
Invert Drop	G	0.1	0.1	0.1	0.1	0.1	
	H	0.3	0.3	0.3	0.3	0.3	

- NOTE:**
- 1) Where inlet and outlet pipes are DIFFERENT diameters the slope must not be less than the difference in diameter or greater than 9 inches. Maximum drop across a manhole invert for matching diameters shall be 9 inches.
  - 2) Minimum inside diameter for inside drop manholes shall be 5 foot for straight through configurations and 6 foot for all others.