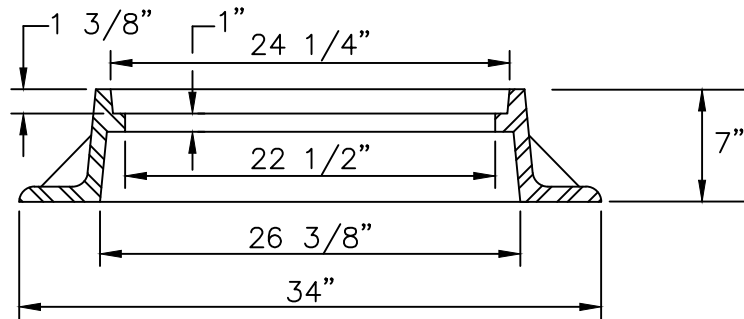
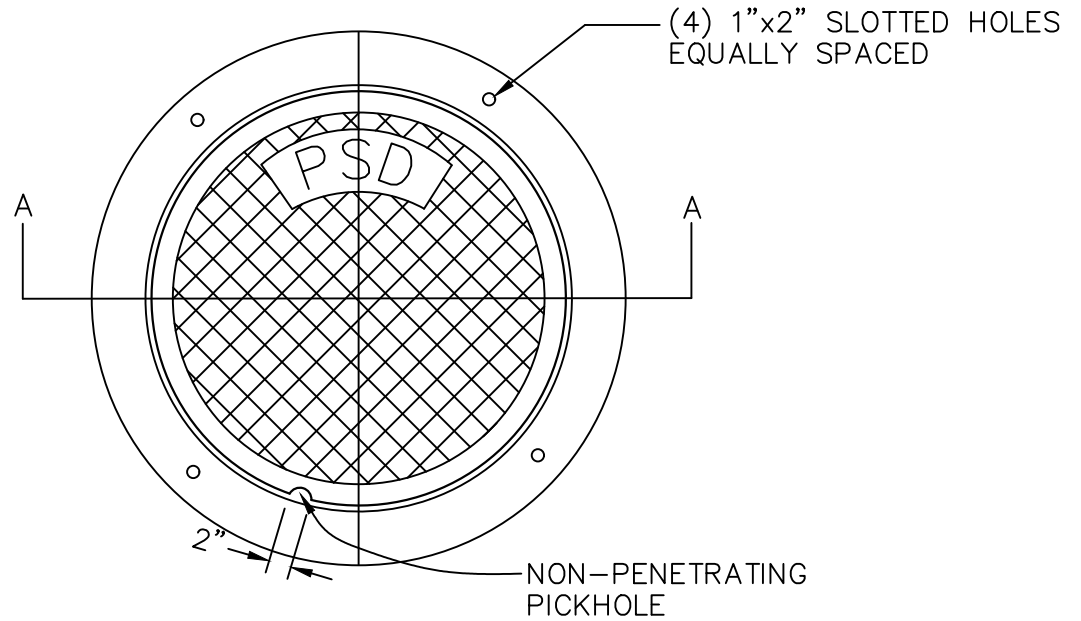


SANITARY MANHOLE STANDARD FRAME AND COVER DETAIL



SECTION A - A

WATERTIGHT SANITARY SEWER MANHOLE COVER

NTS

