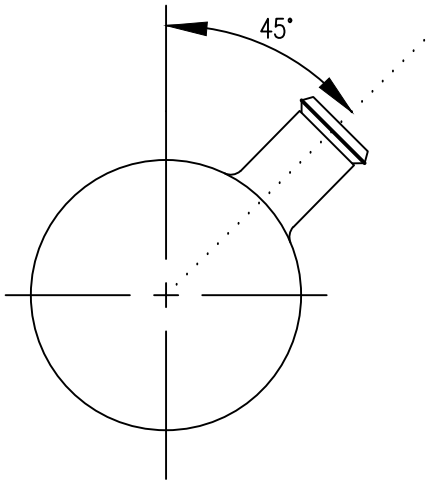


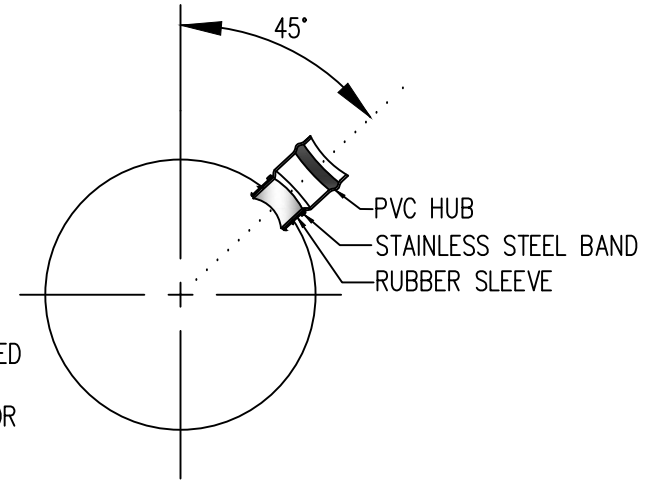
SANITARY WYE INSTALLATION ON EXISTING PVC MAIN DETAIL

NTS



SECTION A-A

NOTE: A TAP INSTALLATION ON AN EXISTING MAIN MAY ALSO BE ACCOMPLISHED USING AN INSERTA TEE FITTING. THE MANUFACTURER'S INSTALLATION INSTRUCTIONS ARE TO BE STRICTLY ADHERED TO, AND THE CONTRACTOR SHALL USE THE APPROPRIATE SIZED HOLE SAW.



SECTION B-B

