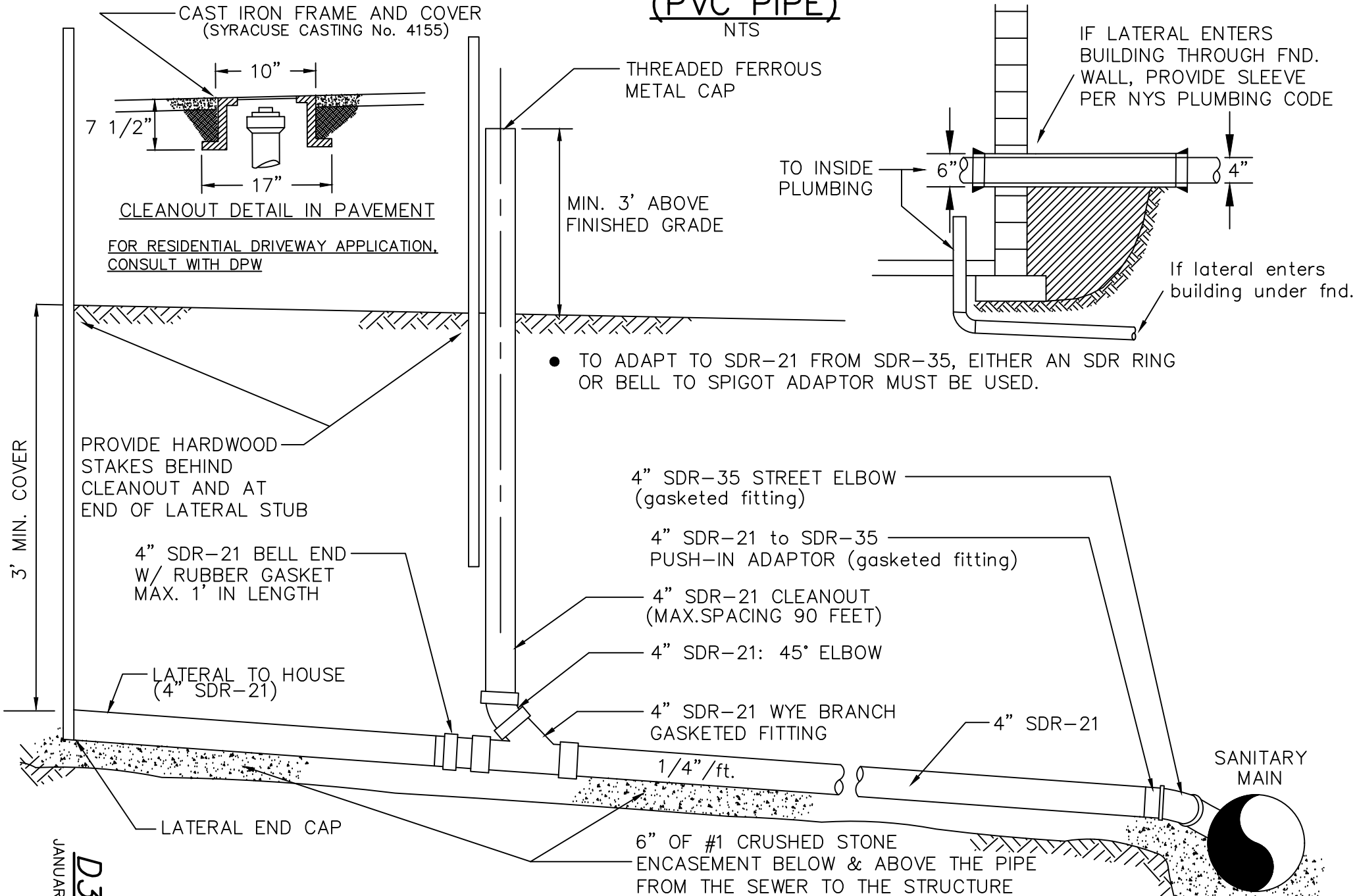


SANITARY LATERAL DETAIL (PVC PIPE)

NTS



NOTE: NO 90° BEND TO BE INSTALLED ON THE HORIZONTAL
COMMERCIAL OR MULTI-FAMILY LATERALS SHALL BE 6" OR LARGER