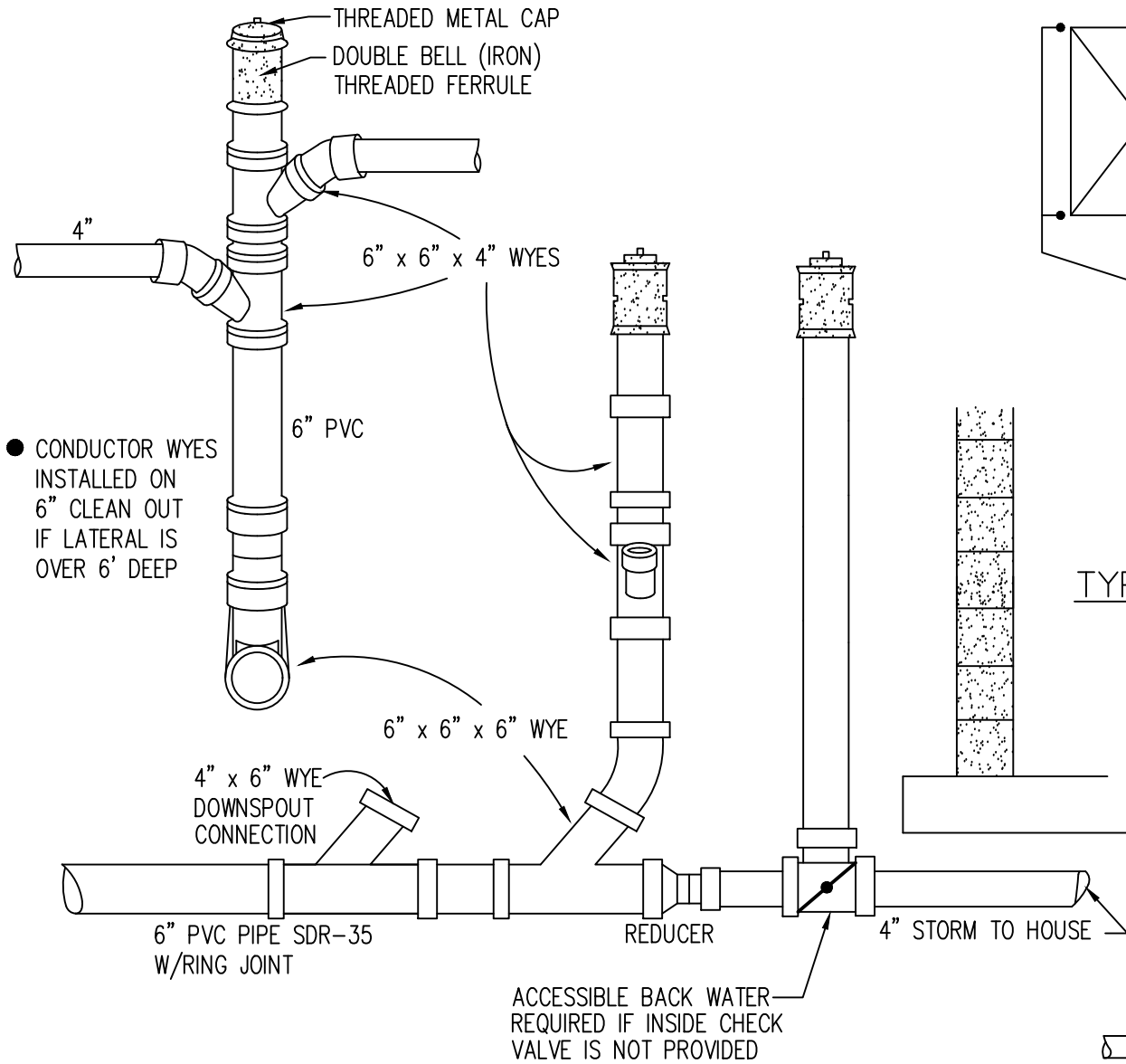
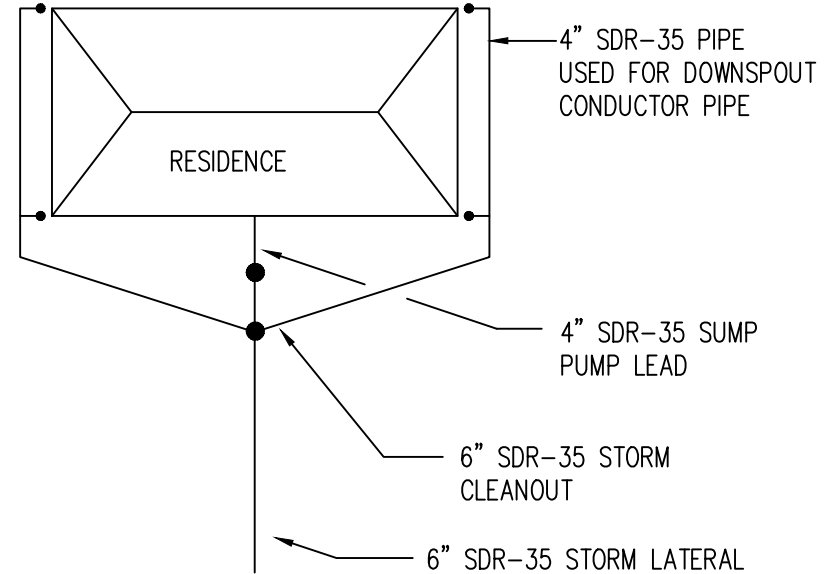


DOWNSPOUT CONDUCTOR DETAIL

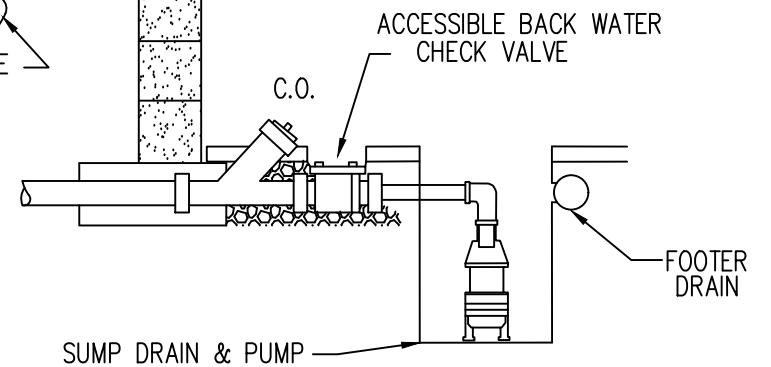
NTS



● CONDUCTOR WYES INSTALLED ON 6" CLEAN OUT IF LATERAL IS OVER 6' DEEP



TYPICAL STORM LAYOUT



NOTE: NO 90° BEND TO BE INSTALLED ON THE HORIZONTAL AND ALL STORM LINES TO BE INSTALLED AT LEAST 3' DEEP